

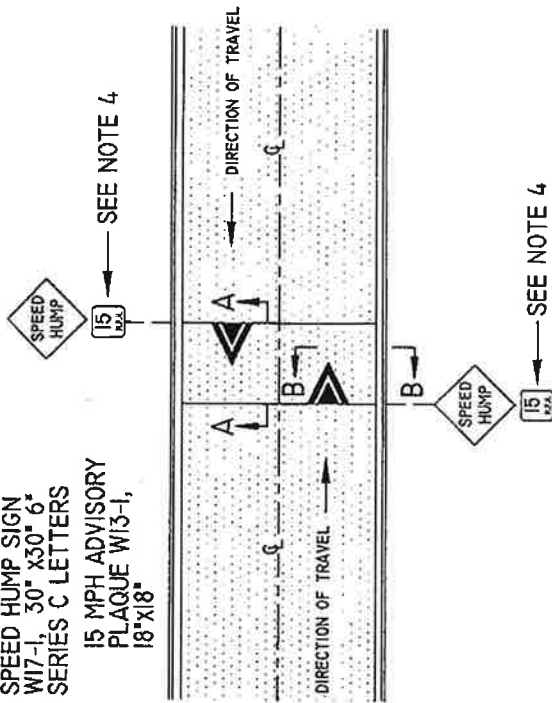
Speed Bump Procedures for City of Columbus

There have been questions on the procedures and costs for speed humps in Columbus. Here is the outline of the plan:

1. Interested residents must secure 75% of the homeowners' signatures in the affected area. Their names must match the tax assessors' property records and yes they are checked. The petition form is attached.
2. Once the signatures are collected, the information goes to our City Engineer for verification. (Send to Mayor's office for coordination)
3. If there are enough signatures, our city engineer will then conduct a site survey to see if the device is warranted.
4. If the device is warranted, the engineer's recommendation goes to the full Traffic Calming Committee for further consideration from a public and policy perception and emergency response perspective. If that group approves, plans are done to show the placement and detail of the construction.
5. The ward's member of the city council will then be contacted for concurrence or changes.
6. The Traffic Calming Committee will then take that recommendation to the City Council to approve/disapprove the plan.
7. If approved, the plan then goes to Columbus Public Works for installation.

SPEED HUMP SIGN
W17-1, 30" X 30" 6"
SERIES C LETTERS

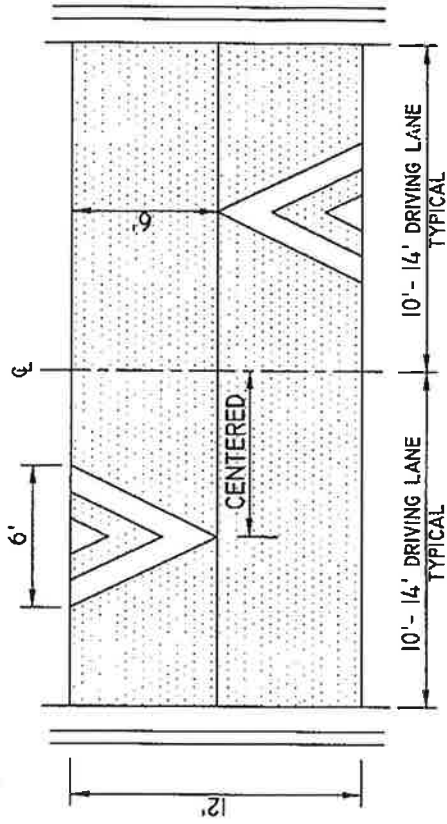
15 MPH ADVISORY
PLAQUE W13-1,
18" X 18"



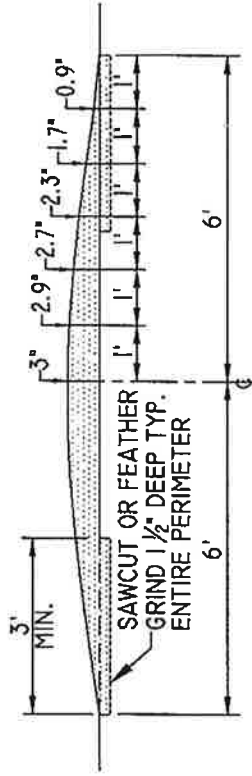
SPEED HUMP MARKING AND SIGNING

NOTES:

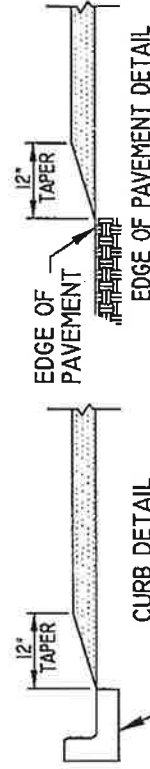
1. SAWCUT OR FEATHER GRIND TO KEY IN SPEED HUMP AROUND ENTIRE HUMP PERIMETER. SEE SECTION A-A.
2. SPEED HUMP AND SIGN LOCATIONS SHALL BE VERIFIED BY THE CITY ENGINEER PRIOR TO INSTALLATION.
3. SPEED HUMP CHEVRON MARKING SHALL BE THERMOPLASTIC, HEAT FUSED PREFORMED, 90 MIL. OR EQUAL AS APPROVED BY THE CITY ENGINEER.
4. FOR A SERIES OF SPEED HUMPS, USE THE ADVISORY SPEED PLAQUE AT ONLY THE FIRST SPEED HUMP IN EACH DIRECTION OF TRAVEL.
5. VERIFY SPEED HUMP WILL NOT CREATE PONDING PRIOR TO INSTALLATION.
6. TACK COAT REQUIRED BETWEEN NEW AND EXISTING ASPHALT SURFACES.



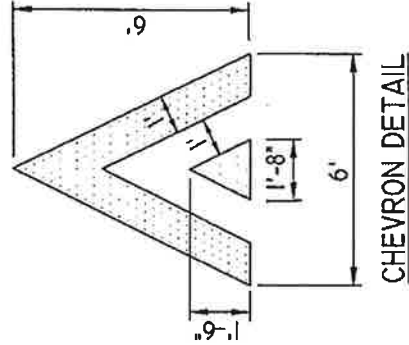
MARKING DETAIL



SECTION A-A



SECTION B-B



CHEVRON DETAIL

CITY OF COLUMBUS	SCALE	NONE
	REVISION DATE	3/09
SPEED HUMP		



Neighborhood Traffic Calming Application

Neighborhood Traffic Calming is a process initiated by neighborhoods that seek to address problems that result from unacceptable neighborhood traffic patterns. This process solves neighborhood traffic problems through the use of devices that reduce traffic volume and speed in neighborhoods, while maintaining maximum mobility and access.

Name of Neighborhood Association (if applicable):

If no neighborhood association exists in your area, individuals may still apply through this application.

Contact Person _____

Address _____

Zip Code _____

Phone _____

Fax _____

Alternate Phone _____

E-mail _____

Location and Nature of the Traffic Problem: _____

Availability of Private Funds:

Yes _____

No _____

If Yes, Amount Available: _____

Application Date: _____

For more information concerning traffic calming, contact:

Engineering Division (662) 328-4460

City Chief Operations Officer (662) 329-5119

Mail Application To:

City of Columbus

Chief Operations Officer

P.O. Box 1408

Columbus, MS 39703